



AWWU Fire Hydrant Use Permit

PERMIT #
ACCOUNT #
DEPOSIT #

The following information is required before a Fire Hydrant Use Permit will be issued (AWWU Water Utility Tariff #3, Rule 15.5B). Please complete this application prior to requesting a meter installation inspection. Failure to follow the proper Meter Start-Up Procedures listed on the back of this permit may cause meter and/or mainline damage resulting in additional charges to your account.

Billing Name _____
 Mailing/Billing Address _____ Zip Code _____
 Physical Address _____
 Contact Name _____ Phone Number _____
 Vehicle Make/Model _____ Color _____ License No. _____

Nature of Job (Construction, landscaping, etc.) _____
 Estimated quantity to be used per month _____
 (Divide last year's total by number of months)

TYPE OF PERMIT			
<input type="checkbox"/> SUMMER USE ONLY		<input type="checkbox"/> WINTER USE ONLY	
Summer Locations:	See Hydrant List	Winter Location:	Hydrant #2431-004 ONLY (East of Kings St on E 94 th Ct) Between the hours of 6:30 am – 4:00 pm (Monday thru Friday)
Permit Expires:	October 1 st	Permit Expires:	May 1 st

****PERMIT NOT VALID UNTIL VEHICLE IS INSPECTED BY AWWU****

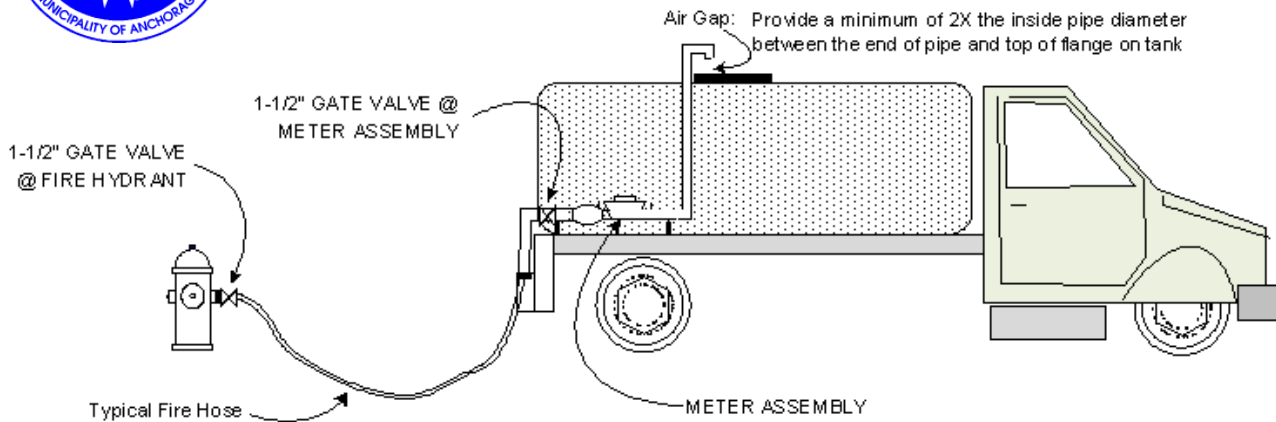
- To the fullest extent permitted by law, the permittee shall indemnify, defend, and hold harmless the Municipality, AWWU, and their agents and employees, from and against all claims, damages, losses, and liabilities, including violations or alleged violations of the ADOT & PF utility permit, arising or resulting in whole or in part, from the performance of work pursuant to this permit.
- The undersigned will be held responsible for all Hydrant Use billings.
- All Deposits will be applied to your account upon meter return and inspections.
- I have read the above applications and know the contents thereof; the same is true and correct. I further agree that the above work will be done in accordance with all Federal, State, and Municipal laws and ordinances.

Name _____ Signature _____ Email _____
 Alaska Driver's License # _____ Alaska Business License # _____
 Pd _____ Initials _____ Office Phone _____ Alt Phone _____
 For Office Use Only

INSPECTION	
Date Issued _____	
Meter Size _____	Backflow Prevention _____ <input type="checkbox"/> Inspected By _____
Meter # _____	1 ½ GV for Hydrant _____ <input type="checkbox"/> Inspection Date _____
MIU _____	1 ½ GV for Tanker _____ <input type="checkbox"/> Comments: _____
Start Read _____	Meter Install Correctly _____ <input type="checkbox"/>
Final Read _____	Regulation Hydrant Wrench _____ <input type="checkbox"/>
Return Date _____	



Hydrant and Meter Start-up Procedures



Water meters can be severely damaged by sudden surges of air or water. Because of this, it is important to follow these steps when starting the operation of a meter attached to a fire hydrant. **BALL VALVES, BUTTERFLY VALVES, OR ANY OTHER "QUICK TYPE" VALVES ARE STRICTLY PROHIBITED.**

1. Attach the **1 1/2"** gate-valve and hose to the hydrant; **Make sure both gate valves are closed.**
2. Fully turn on the hydrant with a regulation fire hydrant wrench until fully open.
3. Slowly open the **1 1/2"** gate valve attached to the **hydrant** to fill hose.
4. Slowly open the **1 1/2"** gate valve attached to the **meter** to fill tanker.
5. When tank is filled to the desired level, close the **1 1/2"** gate attached to the hydrant first then close the **1 1/2"** gate valve attached to the meter.
6. Fully turn off the hydrant with a regulation fire hydrant wrench. **It is *EXTREMELY IMPORTANT* to close a gate-valve prior to turning off fire hydrant; failure to do this may cause damage to the hydrant and water main.**

These procedures need to be followed each time a fire hydrant is used to fill a tanker.

Note: Temperatures below freezing may severely damage meters, even if they seem to be empty of water. If you are permitted for winter use, always store meters in a warm place when not in use.

If you have additional questions or want to report an inoperable fire hydrant, please call **564-2762**



Anchorage Water & Wastewater Utility

Customer Service Division



Hydrant Use Acknowledgement

Date: August 25, 2025

Subject: General Practices Clarification and Hydrant Fines for Illegal Use of Fire Hydrants

Anchorage Water & Wastewater Utility (AWWU) takes the protection of its water system and fire hydrants use seriously. Misuse of any hydrant connected to AWWU's water distribution system will not be tolerated.

In accordance with **Anchorage Water Tariff Rule 15.5(B)**, AWWU has established a permitting process and operating requirements for hydrant use. These rules protect public safety and maintain the integrity of the water distribution system.

By signing below, you acknowledge and agree to the following requirements:

1. **Permit and Equipment** – A valid **Hydrant Use Permit** and AWWU-issued **mobile meter** are required prior to drawing water. Only hydrants designated with a red top may be used. All water withdrawals must be measured through the issued meter.
2. **Meter Integrity** – Once installed on a vehicle, the meter may not be removed, adjusted, or altered in any way.
3. **Code Compliance** – In addition to Tariff Rule 15.5(B), the following **Anchorage Municipal Codes (AMC)** apply:
 - o **AMC 26.40.020** – Compliance with Rules and Regulations
 - o **AMC 26.40.040** – Prohibited Acts
4. **Enforcement and Penalties** – Violations of these requirements will result in enforcement action. Civil penalties range from **\$75 to \$1,000 per violation**, with additional fines for multiple or repeated violations. Penalties are authorized under **AMC 14.60.030**. Lack of knowledge of these requirements does not exempt users from compliance or liability.

Recovery of Costs (AMC 26.40.080)

In addition to the fines listed above, anyone who violates this chapter or causes damage to the Municipality's water system is responsible for all expenses, losses, or damages resulting from their actions. The Utility will bill the responsible party for the full cost of any cleaning, repairs, or replacements required. Failure or refusal to pay these costs is a violation of this chapter and

Anchorage Water & Wastewater Utility  Clearly

3000 Arctic Boulevard • Anchorage, Alaska 99503
Phone 907-564-2700 • Fax 907-562-0702 • Toll Free (866) 650-2700
www.awwu.biz



may result in enforcement actions, including the discontinuance or disconnection of water service in accordance with the AWWU Water Tariff.

Acknowledgement and Agreement

By signing this form, you acknowledge that you have read, understand, and agree to comply with the Hydrant Use Agreement and all applicable rules and regulations. You further agree to ensure that all employees, agents, or representatives operating under your authority are informed of and trained on these requirements. You understand and accept that lack of awareness or failure to educate your employees does not constitute a valid defense and will not prevent the Utility from pursuing enforcement actions, including penalties, for any violations.

Signature: _____

Printed Name: _____

Company / Organization: _____

Title / Position: _____

Date: _____

