

**\*\* SUMMER USE ONLY: EXPIRES OCTOBER 1ST\*\***

**\*\* PERMIT NOT VALID UNTIL VEHICLE IS INSPECTED BY AWWU \*\***



**AWWU  
Fire Hydrant Use Permit**

PERMIT # \_\_\_\_\_

ACCOUNT # \_\_\_\_\_

DEPOSIT # \_\_\_\_\_

The following information is required before a Fire Hydrant Use Permit will be issued (AWWU Water Utility Tariff #3, Rule 15.5B). Please complete this application prior to requesting a meter installation inspection. Failure to follow the proper Meter Start-Up Procedures listed on the back of this permit may cause meter and/or mainline damage resulting in additional charges to your account.

Billing Name \_\_\_\_\_

Mailing/Billing Address \_\_\_\_\_ Zip \_\_\_\_\_

Physical Address \_\_\_\_\_

Contact Name \_\_\_\_\_ Phone #'s \_\_\_\_\_

Make and Type Vehicle \_\_\_\_\_ Color \_\_\_\_\_ License No. \_\_\_\_\_

Permitted Hydrant Location \_\_\_\_\_

Nature of Job (Construction, landscaping, etc.) Construction

Estimated quantity to be used per month \_\_\_\_\_  
(Take last year's total and divide by number of months)

- To the fullest extent permitted by law, the permittee shall indemnify, defend, and hold harmless the Municipality, AWWU and their agents and employees, from and against all claims, damages, losses, and liabilities, including violations or alleged violations of the ADOT & PF utility permit, arising or resulting in whole or in part, from the performance of work pursuant to this permit.
- The undersigned will be held responsible for all Hydrant Use billings.
- Permit EXPIRES October 1st of the year issued. All Deposits will be applied to your account upon meter return & inspection.
- I have read the above applications and know the contents thereof; the same is true and correct. I further agree that the above work will be done in accordance with all Federal, State and Municipal laws and ordinances.

Name: \_\_\_\_\_ Signature: \_\_\_\_\_ Email: \_\_\_\_\_

Alaska Drivers License # \_\_\_\_\_ Alaska Business License # \_\_\_\_\_

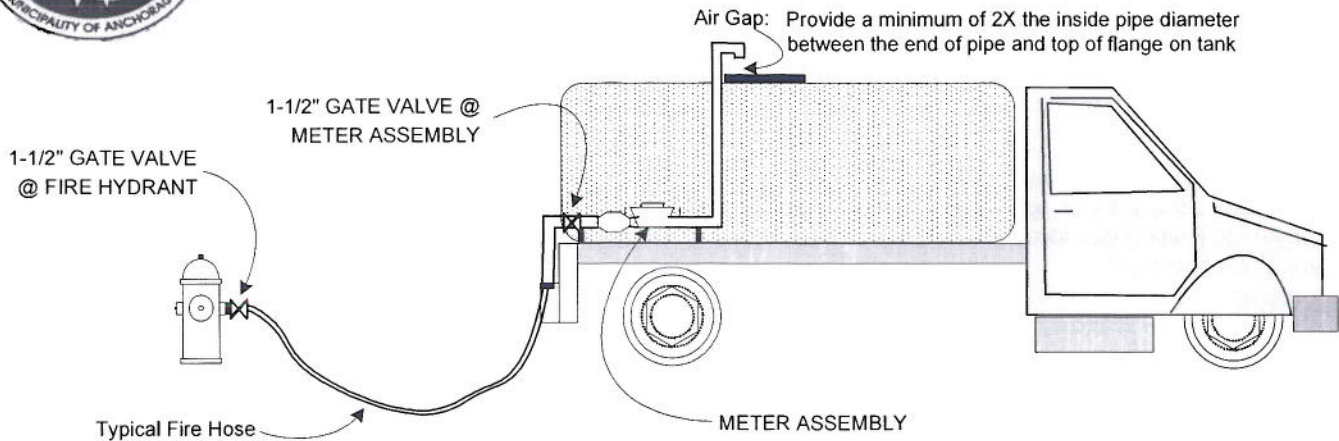
Pd: \_\_\_\_\_ Date: \_\_\_\_\_ Initials: \_\_\_\_\_ Office Ph. # \_\_\_\_\_ Alt Ph. # \_\_\_\_\_

**For Office Use Only**

<p>Date Issued _____</p> <p>Meter Size _____</p> <p>Meter # _____</p> <p>MIU: _____</p> <p>Start Read <input type="text"/></p> <p>Final Read <input type="text"/></p> <p>Return Date _____</p>	<p><b>INSPECTION</b></p> <p>Backflow Prevention <input type="checkbox"/> Inspected by: _____</p> <p>1 1/2 GV for Hydrant <input type="checkbox"/> Date Inspected: _____</p> <p>1 1/2 GV for tanker <input type="checkbox"/> Comments: _____</p> <p>Meter installed correctly <input type="checkbox"/></p> <p>Regulation Hydrant Wrench <input type="checkbox"/></p>
------------------------------------------------------------------------------------------------------------------------------------------------------------------------------------------------	---------------------------------------------------------------------------------------------------------------------------------------------------------------------------------------------------------------------------------------------------------------------------------------------------------------------------------------------------------------------



# Hydrant and Meter Start-up Procedures



Water meters can be severely damaged by sudden surges of air or water. Because of this, it is important to follow these steps when starting the operation of a meter attached to a fire hydrant. **BALL VALVES, BUTTERFLY VALVES, OR ANY OTHER “QUICK TYPE” VALVES ARE STRICTLY PROHIBITED.**

1. Attach the 1 ½” gate-valve and hose to the hydrant; **Make sure both gate valves are closed.**
2. Fully turn on the hydrant with a regulation fire hydrant wrench until fully open.
3. Slowly open the 1 ½” gate valve attached to the **hydrant** to fill hose.
4. Slowly open the 1 ½” gate valve attached to the **meter** to fill tanker.
5. When tank is filled to the desired level, close the 1 ½” gate attached to the hydrant first then close the 1 ½” gate valve attached to the meter.
6. Fully turn off the hydrant with a regulation fire hydrant wrench. It is ***EXTREMELY IMPORTANT*** to close a **gate-valve prior to turning off fire hydrant; failure to do this may cause damage to the hydrant and water main.**

These procedures need to be followed each time a fire hydrant is used to fill a tanker.

**Note: Temperatures below freezing may severely damage meters, even if they seem to be empty of water. If you are permitted for winter use, always store meters in a warm place when not in use.**

If you have additional questions or want to report an inoperable fire hydrant, please call **564-2762**